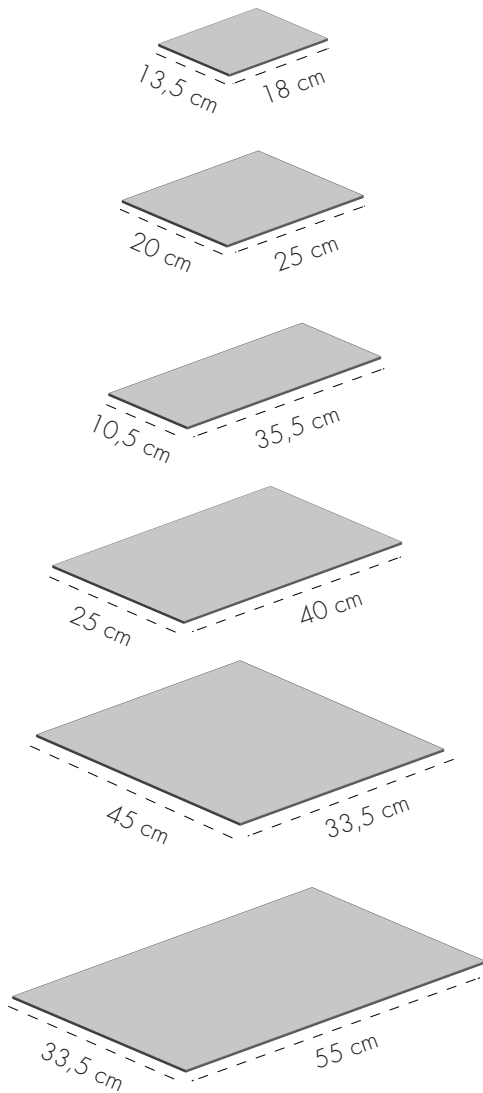


## model PRINCIPE



cod 18 x 13,5 x h.2 cm

---

**1540**

cod 25 x 20 x h.2 cm

---

**1542**

cod 35,5 x 10,5 x h.2 cm

---

**1541**

cod 40 x 25 x h.2 cm

---

**1543**

cod 33,5 x 45 x h.2 cm

---

**10619**

cod 55 x 33,5 x h.2 cm

---

**10618**

